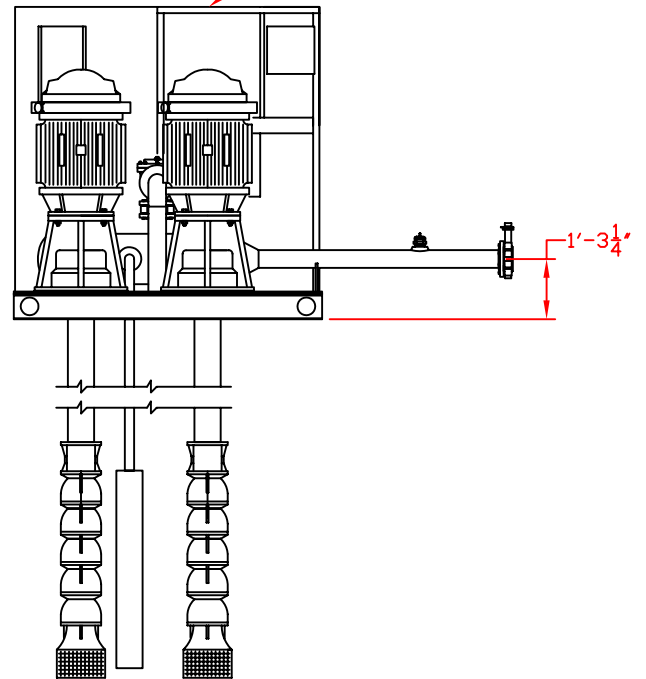
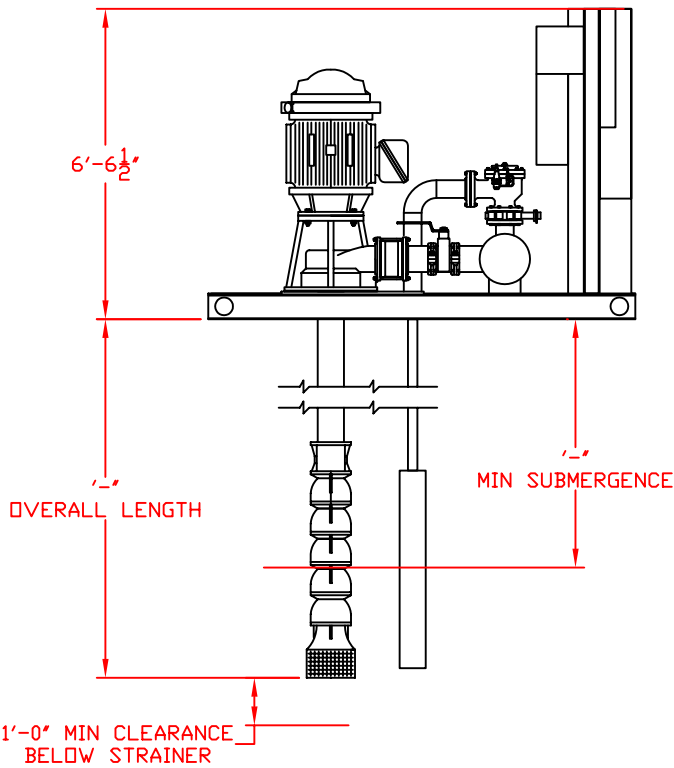


MINIMUM TO ANY OBSTRUCTION

ALTERNATE METER RUN POSITION

POWER ENTRANCE



# 3 Pump Compact Wetwell

THIS DRAWING AND THE INFORMATION SHOWN HEREON IS THE EXCLUSIVE PROPERTY OF TORRENT ENGINEERING AND EQUIPMENT, LLC, AND SHALL NOT BE REPRODUCED OR DISCLOSED TO ANY THIRD PARTY WITHOUT PRIOR WRITTEN CONSENT FROM THE COMPANY.



**TORRENT** Engineering and Equipment

P.O. BOX 270  
Phone: (574)-658-3200

MILFORD, IN 46542 USA  
Fax: (574)-658-3229

www.torrentee.com