

SAMPLE
1 PUMP WET WELL

REVISION HISTORY			
REV	DATE	DESCRIPTION	AUTHOR
0	10/29/2012	FIRST ISSUE	JDM

TOLERANCE: ± 1/16"
UNLESS OTHERWISE NOTED

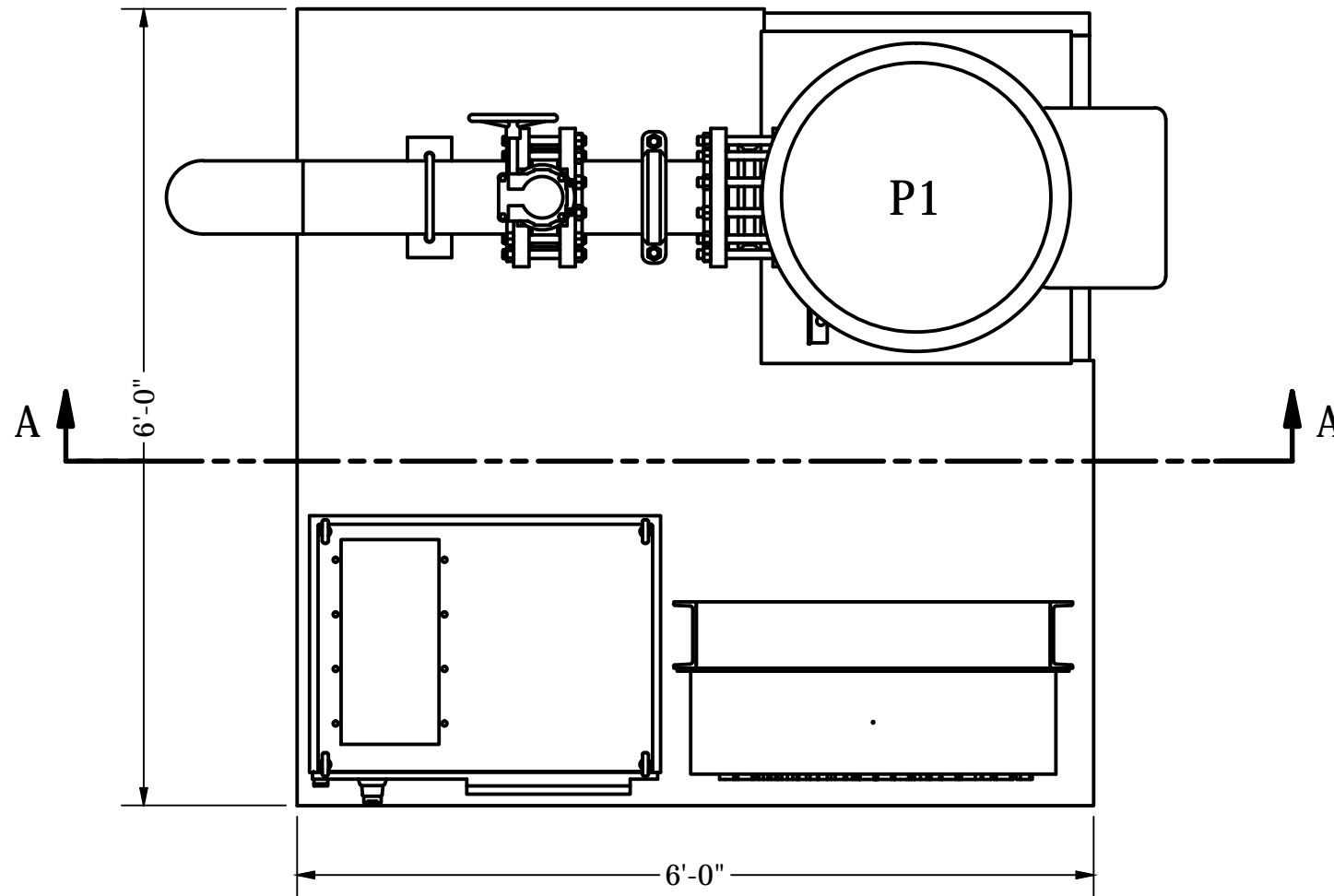
THIS DRAWING AND THE INFORMATION SHOWN HEREON IS THE EXCLUSIVE PROPERTY OF TORRENT ENGINEERING AND EQUIPMENT, LLC, AND SHALL NOT BE REPRODUCED OR DISCLOSED TO ANY THIRD PARTY WITHOUT PRIOR WRITTEN CONSENT FROM THE COMPANY.



TORRENT Engineering and Equipment

P.O. BOX 270 MILFORD, IN 46542 USA
Phone: (574)-658-3200 Fax: (574)-658-3229 www.torrentee.com

SAMPLE 1 PUMP WET WELL ISOMETRIC VIEWS	
DRAWN BY: JDM	CHECKED BY: MRM
DATE: 10/29/2012	APPROVED BY: JDC
SCALE: AS NOTED	B - SIZE DRAWING
DRAWING NUMBER: XXXXXX-M1	
REV: 0	SHEET: 1 OF 3



PLAN VIEW

SAMPLE
1 PUMP WET WELL

REVISION HISTORY			
REV	DATE	DESCRIPTION	AUTHOR
0	10/29/2012	FIRST ISSUE	JDM

TOLERANCE: $\pm 1/16"$
UNLESS OTHERWISE NOTED

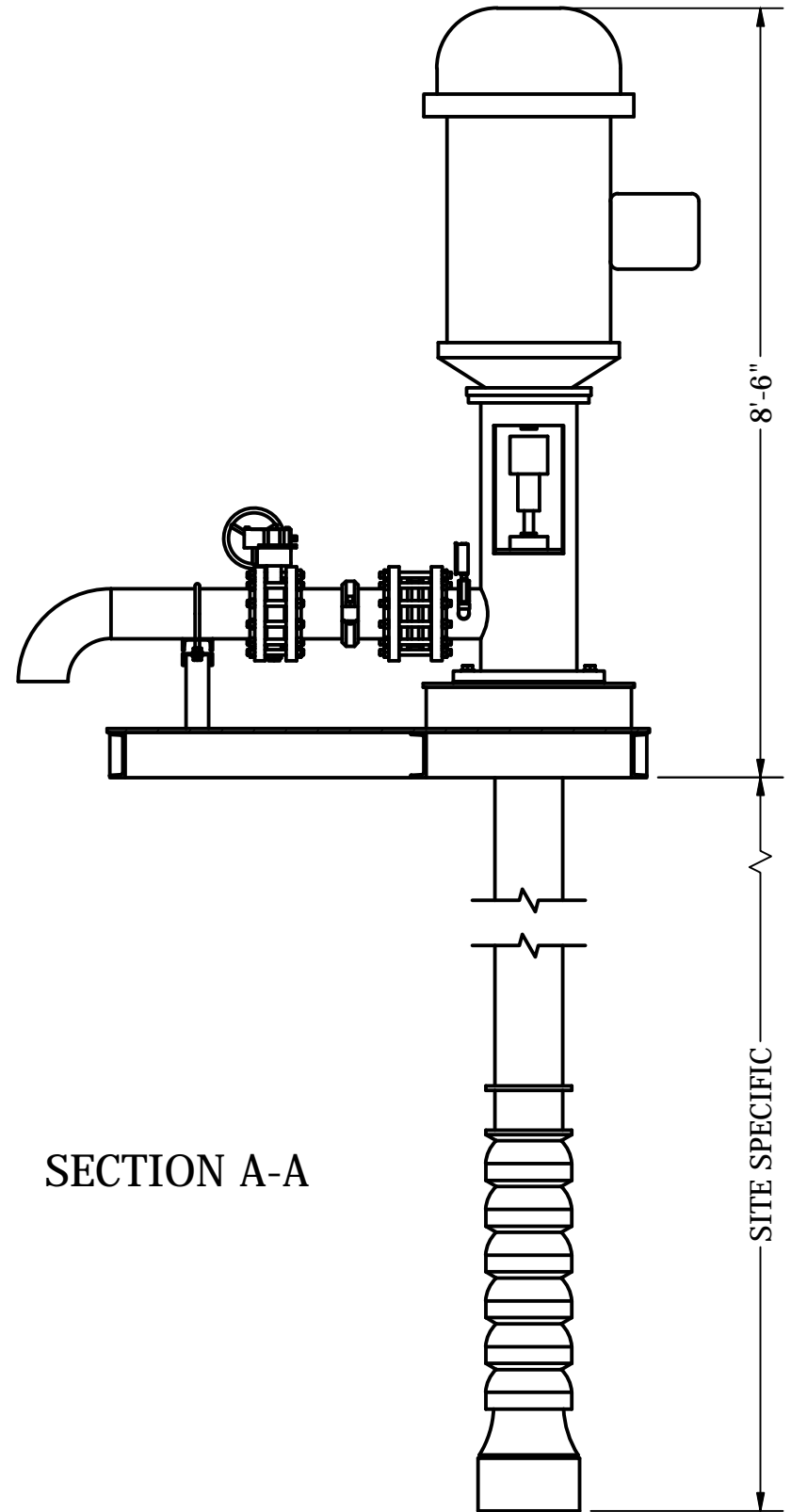
THIS DRAWING AND THE INFORMATION SHOWN HEREON IS THE EXCLUSIVE PROPERTY OF TORRENT ENGINEERING AND EQUIPMENT, LLC, AND SHALL NOT BE REPRODUCED OR DISCLOSED TO ANY THIRD PARTY WITHOUT PRIOR WRITTEN CONSENT FROM THE COMPANY.



TORRENT Engineering and Equipment

P.O. BOX 270 MILFORD, IN 46542 USA
Phone: (574)-658-3200 Fax: (574)-658-3229 www.torrentee.com

SAMPLE 1 PUMP WET WELL PLAN VIEW	
DRAWN BY: JDM	CHECKED BY: MRM
DATE: 10/29/2012	APPROVED BY: JDC
SCALE: AS NOTED	B - SIZE DRAWING
DRAWING NUMBER: XXXXXX-M1	
REV: 0	SHEET: 2 OF 3



SECTION A-A

SAMPLE
1 PUMP WET WELL

REVISION HISTORY			
REV	DATE	DESCRIPTION	AUTHOR
0	10/29/2012	FIRST ISSUE	JDM

TOLERANCE: $\pm 1/16"$
UNLESS OTHERWISE NOTED

THIS DRAWING AND THE INFORMATION SHOWN HEREON IS THE EXCLUSIVE PROPERTY OF TORRENT ENGINEERING AND EQUIPMENT, LLC, AND SHALL NOT BE REPRODUCED OR DISCLOSED TO ANY THIRD PARTY WITHOUT PRIOR WRITTEN CONSENT FROM THE COMPANY.

TORRENT Engineering and Equipment
 P.O. BOX 270 MILFORD, IN 46542 USA
 Phone: (574)-658-3200 Fax: (574)-658-3229 www.torrentee.com

SAMPLE 1 PUMP WET WELL SECTION VIEWS	
DRAWN BY: JDM	CHECKED BY: MRM
DATE: 10/29/2012	APPROVED BY: JDC
SCALE: AS NOTED	B - SIZE DRAWING
DRAWING NUMBER: XXXXXX-M1	
REV: 0	SHEET: 3 OF 3